

ST 050 304 5360



- shower with fixed riser projection 420mm
- rain shower Ø 200 mm
- rain shower with anti-scale system
- max. rainshower flow 6.8 l/min
- rotary diverter for fixed-riser shower/hand shower
- height of fittings up to rain shower (bottom edge) 985mm
- height of fittings up to top edge of elbow 1160mm
- two-part push-on rosette Ø 65 mm
- rosette for shower holder Ø 65mm
- rosette for wall mounting Ø 60mm
- gauge 150 mm - 13 mm
- metal shower hose 1250mm with integrated anti-twist protection
- 1/2" connection
- Pipe diameter 20 mm

**This article does not include a hand shower!**

**Intrinsic protection against back flow.**

	Brushed Dark Platinum	ST 050 304 5360-99 0010
	Chrome	ST 050 304 5360-00 0010
	Brushed Platinum	ST 050 304 5360-06 0010
	Platinum	ST 050 304 5360-08 0010
	Durabronze (23kt Gold)	ST 050 304 5360-09 0010
	Brushed Durabronze (23kt Gold)	ST 050 304 5360-28 0010

**Individual components of this set**

You need the following components for this set



1x 11 420 360-99



1x 34 459 360-99 0010



# MADISON Showerpipe with shower thermostat - Brushed Dark Platinum


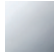

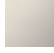

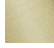
---

MADISON

ST 050 304 5360

ST 050 304 5360



	Brushed Dark Platinum	11 420 360-99
	Chrome	11 420 360-00
	Brushed Platinum	11 420 360-06
	Platinum	11 420 360-08
	Durabress (23kt Gold)	11 420 360-09
	Brushed Durabress (23kt Gold)	11 420 360-28



MADISON Showerpipe with shower thermostat - Brushed Dark Platinum

MADISON

ST 050 304 5360



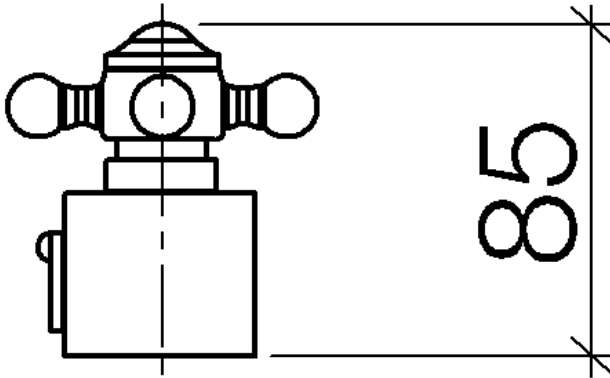
# MADISON Showerpipe with shower thermostat - Brushed Dark Platinum

---

MADISON

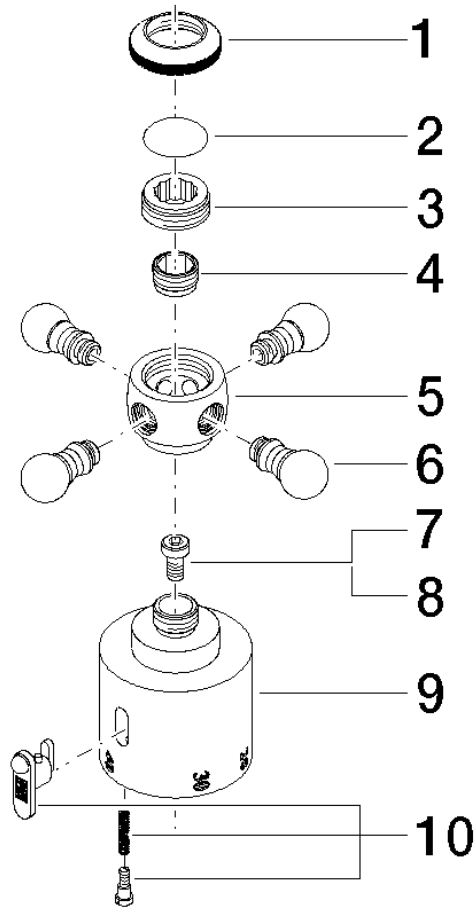
ST 050 304 5360

ST 050 304 5360



ST 050 304 5360

Parts for other finishes can be found here: [Chrome](#)



**Spare parts list**

No.	Item Number	Name	Quantity used	Delivery time
1	09 20 36 005-99	handle	1	30
2	09 26 01 016 90	accessories	1	2
3	09 20 83 006 90	handle	1	2
4	09 24 03 119 90	nipple	1	2
5	09 20 36 060-99	handle	1	30
6	09 20 36 004-99	handle	4	30
7	90 30 30 027 00 90	screw	1	2
8	09 30 33 004 90	screw	1	2
9	09 17 33 003-99	handle	1	30
10	90 21 33 020 00 90	handle	1	2

ST 050 304 5360



- shower with fixed riser projection 420mm
  - overhead shower: rain flow
  - rain shower Ø 200 mm
  - rain shower with anti-scale system
  - max. rainshower flow 6.8 l/min
  - rotary diverter for fixed-riser shower/hand shower
  - height of fittings up to rain shower (bottom edge) 985mm
  - height of fittings up to top edge of elbow 1160mm
  - two-part push-on rosette Ø 65 mm
  - rosette for shower holder Ø 65mm
  - rosette for wall mounting Ø 60mm
  - gauge 150 mm - 13 mm
  - metal shower hose 1250mm with integrated anti-twist protection
  - 1/2" connection
  - Pipe diameter 20 mm
  - This product reduces water consumption by % (compared to requirements of EPAct '92)
  - This product can contribute to Water Use Reduction in LEED® Green Building Rating
- Intrinsic protection against back flow.**

**NOTE: Hand shower sold separately. Please see hand shower options under the miscellaneous articles section of each series.**

Intrinsic protection against back flow.

NOTE: Hand shower sold separately. Please see hand shower options under the miscellaneous articles section of each series.

	Brushed Dark Platinum	34 459 360-99 0010
	Chrome	34 459 360-00 0010
	Brushed Platinum	34 459 360-06 0010
	Platinum	34 459 360-08 0010
	Durabrand (23kt Gold)	34 459 360-09 0010
	Brushed Durabrand (23kt Gold)	34 459 360-28 0010

**Required miscellaneous**



**Concealed adapter -** 35 080 970-90  
 •please order two adapters (USA only) 0010





# MADISON Showerpipe with shower thermostat - Brushed Dark Platinum

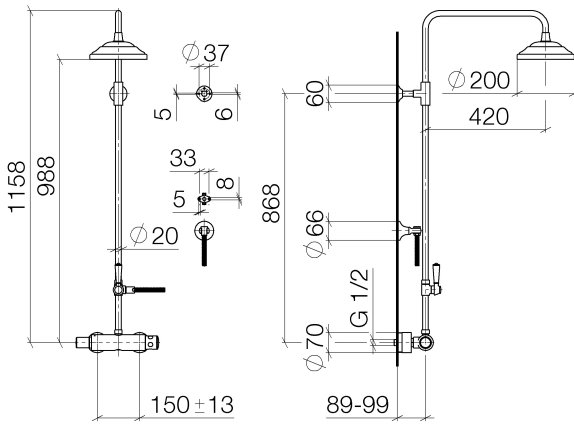
---

MADISON

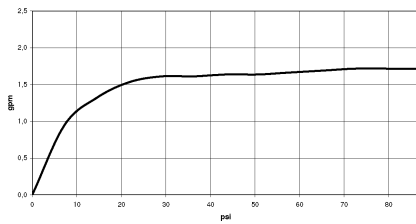
ST 050 304 5360

ST 050 304 5360

1:10



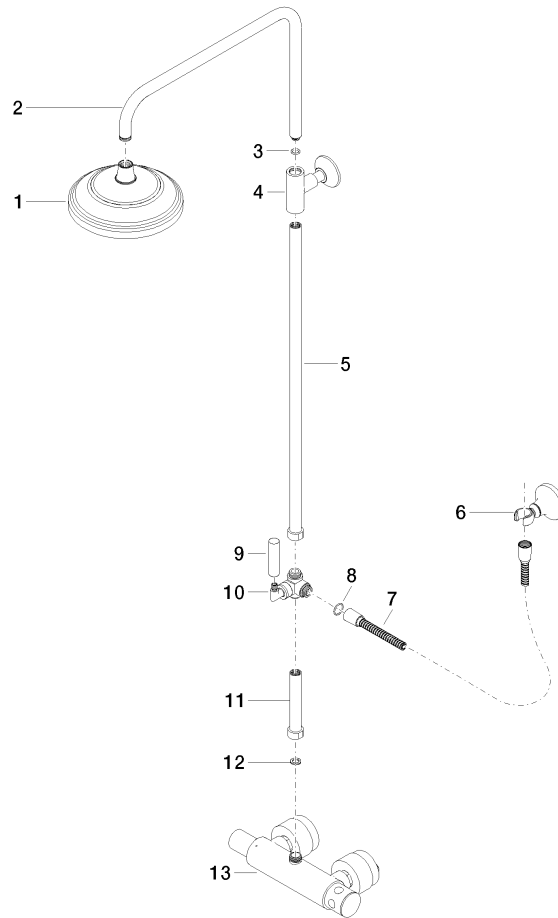
**Flow rate chart**



**Codes & Standards**

ASME A112.18.1/CSA B125.1	California Energy Commission (CEC)
---------------------------------	--

ST 050 304 5360



**Spare parts list**

No.	Item Number	Name	Quantity used	Delivery time
1	04 12 05 038 30-99	shower	1	30
2	04 28 22 101 20-99	spout	1	30
3	90 14 10 011 00 90	seal	1	2
4	90 17 11 037 01-99	holder	1	30
5	90 28 22 104 00-99	pipe	1	30
6	90 17 09 045 01-99	diverter	1	30
7	09 30 30 064-99	screw	1	30
8	09 18 20 011-99	base	1	30
9	09 28 22 013 90	pipe	1	2
10	11 170 370-99	MADISON Lever insert - Brushed Dark Platinum	1	30
11	09 30 30 062-99	screw	1	30
12	09 14 10 122 90	seal	1	2
13	28 104 970-99	Metal shower hose 1/2" x 1/2" x 1250 mm - Brushed Dark Platinum	1	2
14	28 050 410-99	holder	1	60
15	90 28 22 103 00-99	pipe	1	30
16	90 14 20 002 00 90	seal	1	2
17	04 17 01 044 01-99	fitting	1	30